

## **Mini Speed Dome Camera**



**WDS-3512P**

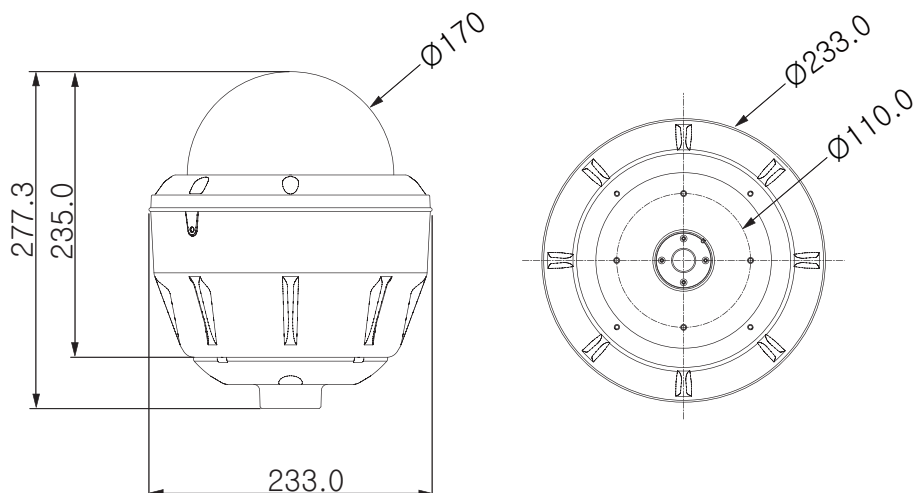
### **MAIN FEATURES**

- 1/4 "SONY EXview HAD CCD
- Built-in 36x Auto Focus Optical Zoom(f=3.5 to 91.0mm) (Digital 12x)
- WDR(Wide Dynamic Range)
- Horizontal Resolution 530TVL(Min.)
- Day&Night(ICR),0.01 Lux with ICR ON
- DSS(Digital Slow Shutter)
- Multi Protocol & Baud Rate Support.(Pelco-D/Pelco-P/ STD.)
- Programmable User Preferences (Preset, Tour, Scan,etc,)
- Vactor Scan & Diagonal Scan during Auto Tour.
- Built-in 2 Fans & 2 Heater
- Operating Temperture Range : -49°F ~ 158°F(-45°C~70°C)
- Vandal proof (Full Body Aliminum & Polycarbonate Bubble)
- IP67 (waterproof)
- CE, FCC, VCCI, RoHS Compliance.
- Easy Installation

**WELDEX CAN CUSTOMIZE CAMERA FOR YOUR SPECIFIC NEED!!**

# WDS-3512P (Mini Speed Dome Camera)

## DIMENSIONS



SPECIFICATIONS		
Camera	NTSC	PAL
Image Device	1/4" Sony IT CCD	
Lens	35x Optical Auto Focus Zoom	
Working Distance	320mm(WIDE end), 1500mm(TELE)	
Sync. System	Internal / External (VD pulse lock)	
S/N Ratio	More Than 50dB (AGC off)	
Total Pixel	410K	470K
Effective Pixel	380K	440K
Day & Night	Auto ICR(Filter Changeable)	
Horizontal Resolution	More than 480TV Lines	More than 470TV Lines
Minimum Illumination	0.01 Lux (ICR-on mode) 1/4sec	0.01 Lux (ICR-on mode) 1/3sec
Video Output	Composit output 75 ohm terminated 1.0Vpp	
Control Method	RS-485, 422, 232C (Option)	
WDR(Wide Dynamic Range)	-----	
Electronic shutter speed	1/60 ~ 1/10,000sec (28steps)	1/50 ~ 10,000sec (28steps)
<b>Dome</b>		
Panning Range & Speed	0° ~ 360° / Max 360°/sec	
Tilting Range & Speed	0° ~ 180° / Max 90°/sec	
Preset Speed	Max 400°	
Preset Position	1~240 Positions	
Group Tour	1~8 Group Tour	
Pattern	1~8 Pattern (120 sec Memory)	
Auto Scan	1~8 Scan (Programmable Speed & Diagonal Scan)	
Flip	Auto Flip (On/Off)	
Privacy Zone Masking	6 Privacy Zones (4 Group) Total 24 Privacy Zones	
Alarm	4 Inputs/1 Output	
Protocol	RS-485,422 Baud rate 9600bps(STD.)(Opt. : 38400, 4800, 2400)	
Camera ID	1~99	
OSD	Dome ID, Pan/Tilt Angle Range. Mode...	
<b>Environmental</b>		
Operating Temperature	-49°F ~ 158°F ( -45°C ~ 70°C)	
Operating Humidity	Up to 90% RH	
Storage Temperature	-4°F ~ 158°F (-20°C ~ 70°C)	
Built-in Fan & Heater	2 Fans / 2 Heaters	
Heater Operate	24.8°F ~ 50°F (-4°C ~ 10°C) On/Off	
<b>General</b>		
Certifications	CE, FCC, RoHS, IP67	
IP Rating	IP67 (Water proof)	
Power Supply	DC24V / AC24V, 3A	
Dimensions	Ø233 x 257.3mm	
Weight	Approx. 2200g (W/O Bracket)	

# WDS-3512P (Mini Speed Dome Camera)

## OPTIONAL BRACKET



Pole Bracket



Parapet Bracket



Roof Bracket



Coner Bracket



Wall Bracket



Ceiling Bracket



Sunshield Bracket



Swan Neck Bracket