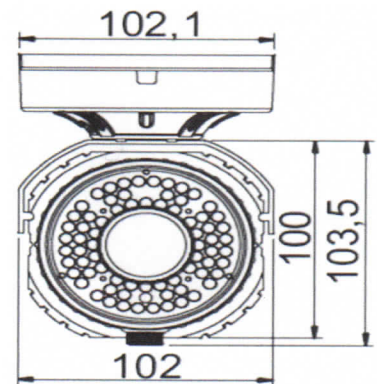
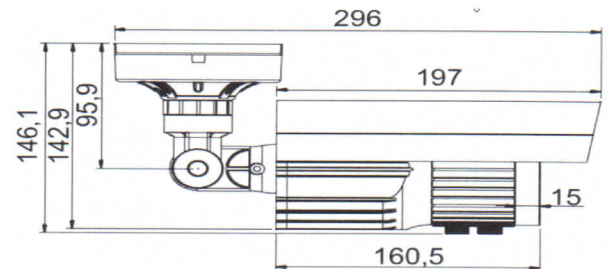
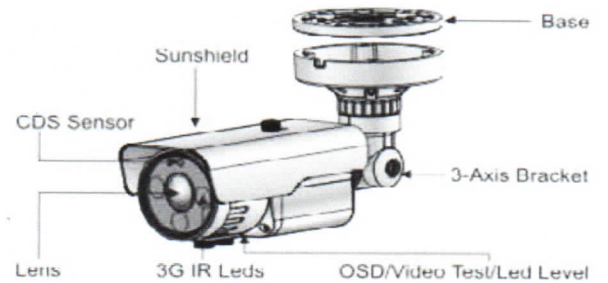


HD DAY/NIGHT WEATHER PROOF SUPER LONG RANGE VARI-FOCAL HEAVY-INDUSTRIAL TRUE WDR DUAL VOLTAGE BULLET CAMERA

Model #: DSS-BVLP-887B

Features

- 1/3" Sony™ Super HAD CCD II
- Sony™ Effio-P DSP
- HD 700 Horizontal Lines of Resolution (750 B/W)
- 6-22mm Vari-focal Lens
- True WDR
- 3 Matrix Array IR, (250 Ft. Night Vision)
- Smart IR Level Adjustment
- Dual Glass, Anti Fog
- Heavy-Duty Industrial Grade
- IP 66 Compliant
- Dual Voltage DC 12V/AC 24V
- 2 Years Warranty



Optional Accessories



DC 12V Power Supply

Specifications

Image Sensor	1/3" Sony™ Super-HAD CCD II
Digital Signal Processor	Sony™ Effio-P DSP
Horizontal Resolution	HD 700 TV Lines
Effective Pixels	976(H) x 494(V) NTSC
Lens	Vari-Focal 6-22mm
Camera Body Color	Silver Black
IR LEDs	3 Matrix Array IR
IR Distance	250 ft Depending on Scene Reflectance
IR Level Adjustment	IR Intensity Level Adjustment
Minimum Illumination	0.05 Lux @F1.2, 0 Lux when IR LED on
Electronic Shutter	Auto: 1/50(1/60)-1/100,000 Second
White Balance	ATW
BLC	BLC
Wide Dynamic Range	True WDR
S/N Ratio	More than 48dB
Gamma	0.45
Scanning System	2:1 Interlace
Sensor Area	4.9mm x 3.7mm
Synchronization	Internal
Video Output	BNC 1.0Vp-p, 75Ω Composite
Power Supply	DC 12V/AC 24V (±2V) (PS Not included)
Weather Protection	IP 66 Compliant
Operating Temperature	-4°F to 122°F
Weight	3.9 Lbs